

WORM FARM / WURMKOMPOSTER / VERMIKOMPOSTÉR / VERMIKOMPOSTÉR

USER GUIDE / BENUTZERHANDBUCH /
UŽIVATELSKÁ PŘÍRUČKA / POUŽÍVATELSKÁ PŘÍRUČKA





reddot design award
winner 2017



CONTENT/ INHALT/ OBSAH/ OBSAH

4 English

10 Deutsch

16 Čeština

22 Slovenčina



What is vermicomposting?

It's a method of composting in which earthworms take care of peels, teabags and other bio-waste from your household. Using a special vessel, the earthworms turn the waste into a vermicompost that is similar in texture to peat, over the course of a few months. Additionally you obtain a liquid called worm tea. But the vermicompost and worm tea excellent fertilizers with high content of enzymes and hormones that promote growth and protect plants from diseases. You can use them to fertilize herbs as well as indoor and outdoor plants.

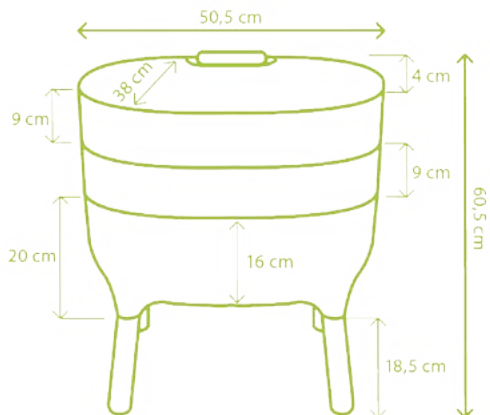
Why to compost at home?

- 40 to 60 percent of household waste is compostable.
- Bio-waste doesn't end up in a dump or incinerator where it doesn't belong.
- You save money for fertilizers and provide your plants with nutrients without chemicals.
- You will have a fertilizer with high content of nutrients and enzymes for optimal plant growth.
- You have a year-around supply of compost for your plants.
- Your kids and grandkids gain practical knowledge of life cycles.

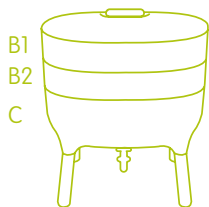
Worm farm Urbalive

Basic Description

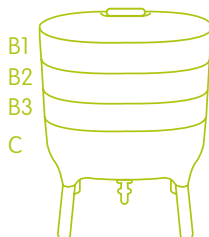
The Urbalive worm farm is an interior container in which earthworms transform organic waste from households into vermicompost and worm tea. This way you get a high-quality 100% organic fertilizer for growing both indoor and outdoor plants.



Technical Data



When using the basic set containing two trays.
 B1 = 21,7 l
 B2 = 21,7 l
 C = 15 l (worm tea)
 Maximum load of the whole worm farm is 60 kg.



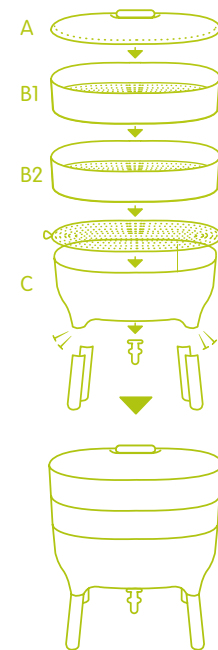
When using the basic set containing three trays.
 B1 = 21,7 l
 B2 = 21,7 l
 B3 = 21,7 l
 C = 15 l (worm tea)
 Maximum load of the whole worm farm is 60 kg.

How to assemble the Urbalive worm farm?

What you will find in the Urbalive worm farm package?

- Cover with a wooden handle (A) with air vent openings
- Two trays (B1, B2)
- Bottom tray (C)
- Release valve
- A grille with a textile
- 4 wooden legs
- 4 screws

Unpack the worm farm and attach the leg to the bottom tray. The legs already have pilot holes so you can easily attach them using a common Phillips screwdriver. Once you attached the legs, attach the release valve to the bottom tray. Check that the release valve is closed and that it seals well. Put the grille with textile into the bottom tray of the worm farm and makes sure it seals correctly. Begin composting using the bottom tray (the one with the release valve) and one tray – we call it the composting tray (B1). For now, the second tray (B2) remains empty. Its time will come when you fill up the composting tray (B1). At the moment, you can either put it away or leave it between the composting tray (B1) and the bottom tray (C).

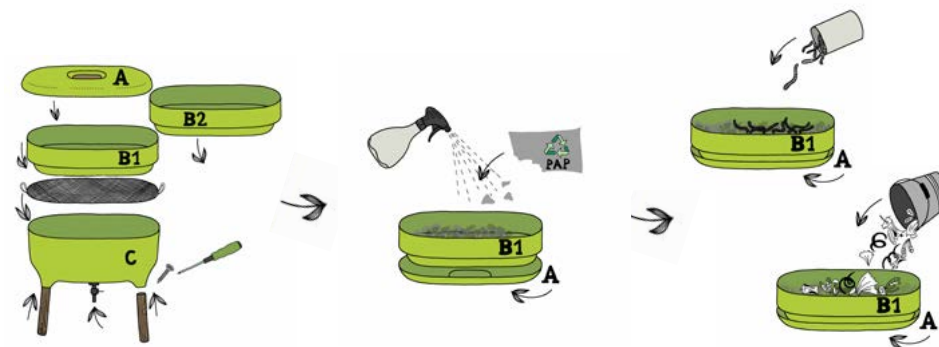


Warning

How use the worm farm Urbalive?

For those who like it short

- Setup the worm farm.
- Create a bedding from paper in the composting tray (B1). At the moment, you don't need the second tray (B2).
- Put a hatch of worms on the bedding.
- Cover the worms by a layer of finely chopped bio-waste.
- Set the composting tray (B1) on top of the bottom tray (C) and cover with the lid (A).
- Monitor moisture levels, temperature and make sure not to overfeed the worms.
- After 2–3 months lay the composting tray (B2) with a prepared bedding on the full tray (B1). Create a pile in the middle of the full tray (B1) so that the worms can easily move up to tray (B2).
- Happy composting.





Composting step by step, in detail

- Create a bedding at the bottom of the composting tray (B1) using moistened crumpled paper. One layer is enough. The box your Urbalive vermikompostér came in is perfect to use for this purpose. But you can also use egg cartons, newspaper, rolls from toilet paper, grass, leaves, peat, wood shavings or coconut fiber.
- Put your earthworm hatch on the bedding. For start, one pound (0.5 kg) of earthworms will be sufficient. For those counting, it would be about two hundred earthworms. We'll tell you later in these instructions where to get your worms.
- Cover the earthworms as well as the entire bottom of the composting tray (B1) with about an inch (2–3 cm) thick layer of bio-waste chopped to small pieces.
- For the first month, feed the earthworms once or twice a week with a handful of bio-waste. Beware of overfeeding. Otherwise the earthworms won't manage to process the bio-waste and it begins to go mouldy. If this happens, simply remove the mouldy parts from the worm farm.
- As there are more earthworms, you can increase the volume of the bio-waste. In about three months the worm farm manages to process approximately half a pound (quarter of a kilo) of bio-waste per day. This is approximately the amount produced daily by a four-member family.
- Check the moisture level several times a week.
- Once a week carefully rake through the content of the worm farm and see how the earthworms are doing. This also nicely aerates the compost.
- Keep the worm farm closed, the earthworms like darkness.
- In about two months, the worm farm begins to create the earthworm tea, a liquid product of composting. This runs down into the bottom tray with the release valve. Remove the earthworm tea about once or twice a month, depending how much is formed. Wash out the bottom tray of the vermikompostér every time you tap off the earthworm tea.
- Once the composting tray (B1) fills up entirely, add a pile of bio-waste in the middle to create a mound. Press the second tray (B2) on this and start filling the new tray with bio-waste. The earthworms will either move to the second tray (B2) by themselves or you can help them and move a part of the earthworms to the upper floor. Leave the full tray (B1) in the set for another month. During this time all earthworms will move to the tray (B2) and the material in tray (B1) will turn into vermicompost. If you need to use the fertilizer immediately, you can spread it in a thin layer on an underlay and make a mound in the middle. The worms will move from the thin layer to the mound.
- Then remove the vermicompost from the composting tray (B1), fertilize your plants and wash the tray under running water. The composting tray (B1) thus becomes the empty tray (B2). For now add it empty to the composter or set it aside until you fill the tray in which you are composting at the moment. Then repeat the entire cycle with moving the earthworms to the upper floor. And so on, over and over.

What goes in a worm farm:

- Peels and leftovers of fruits and vegetables (for example potato peels, apple cores, green tops, etc.)
- Tea bags (earthworms often like to reproduce in them, so don't forget them)
- Coffee grounds, coffee filters
- Leftovers of boiled vegetables
- Crushed eggshells
- Paper napkins
- Dampened paper carton
- Dry baked goods
- Leftovers of house or outdoor plants



TIP: Chop large pieces into smaller, the worms will process them better.

What doesn't go in a worm farm:

- flavor-intensive foods such as ginger or an excessive amount of citrus
- milk products
- meat products
- bones
- oil, lard and other fats



TIP: In the beginning of composting, don't dispose of leftovers of stalk vegetables or potato peels. The initial small number of worms cannot process them with their enzymes and the leftovers could smell.

Where to put the worm farm Urbalive?

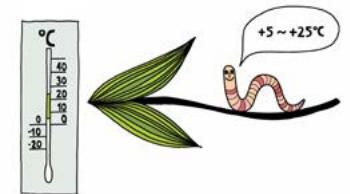
The worm farm Urbalive can stand in the kitchen, on the balcony, in the hallway, in a garage, as well as in a classroom or an office. If you maintain a few simple rules, you don't need to be afraid that the contents of the worm farm would smell badly.

Keep at an adequate temperature. The earthworms like a temperature around 68 °C (20 °C). In the winter, don't leave the worm farm outside without insulation, so that it wouldn't freeze through. In the summer, don't put it directly in the sun, where it would overheat and dry up. The temperature in the worm farm should not drop below 41 °F (5 °C) and exceed 77 °F (25 °C).

Keep the vermicompost at the right humidity level. Check the correct moisture level in the worm farm by taking a handful of the composted material and pressing it in your palm as hard as possible. If a few droplets of water appear, the moisture level is ideal. If more water appears, you should dry up the compost, for example with shredded paper or carton. If the drops of water fail to appear, moisten the compost with a water spray or by adding dampened shredded paper or carton from a box or an egg crate. The number of earthworms may decrease if optimal humidity is not provided. Earthworms like the dark, so do not place the worm composter in the direct sunlight. The best place for earthworms is in the shade.

Which earthworms should I use for the worm farm and where to get them?

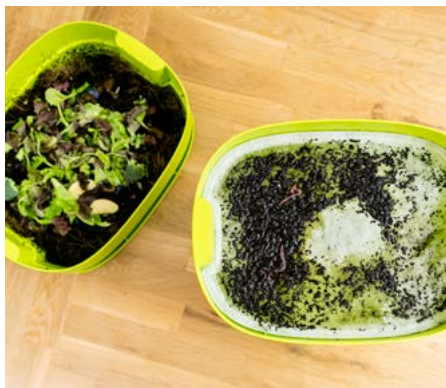
There is a particular species of earthworms that was bred specifically for composting and that you should use in your worm farm. They are called the California hybrid or tiger worms (in Latin it's *Eisenia andrei*). Unlike their common relatives known as redworms (*Eisenia fetida*), tiger worms are much more eager to



eat, that is to compost, and reproduce faster. You can buy the tiger worms can be bought from specialized sellers. Please be aware that in hot summer months it's not possible to send earthworms in mail. You should also select a seller who will send you earthworms including compost (that is not just clean worms in a box).

How to use vermicompost and worm tea?

Vermicompost is the best fertilizer you can give your plants. It contains efficient enzymes and natural growth hormones. It is added to soil in planters of indoor plants or directly on the plant bed. If you mix vermicompost with soil, you can use it as a classic substrate. It's also effective as a starter for plant germination process. Earthworm tea is an excellent liquid fertilizer for herbs, indoor plants as well as the garden. It contains high levels of nutrients and enzymes that promote growth and help build plant resistance against pests. You can tap off the earthworm tea into a plastic or glass bottle. It's best diluted with water in the 1:9 ratio. Use the diluted earthworm tea to water plants or spray it on their foliage.



When it doesn't work as it should...

The worm farm exudes odor:

A properly maintained vermicompostér doesn't have an unpleasant smell. If the odor appears, it's most often because the earthworms can't manage to process all the bio-waste, therefore lower its amount. The unprocessed waste also causes high humidity of the composted material, that then rots and exudes odor. Dry the contents of the worm farm with pieces of shredded paper, newspaper, cartons or paper egg crates. Another reason for an unpleasant odor may be remnants of stalk vegetables or potatoes. These are best introduced to composting only after a few months, when the earthworms are sufficiently active for timely processing.

The lack of earthworms:

A lack of earthworms is a signal that the earthworms aren't breeding in the Worm Farm, because they don't feel well in it. Try to change the composition of bedding and bio-waste and also fine-tune the moisture level of the composted material.

Too many earthworms:

If you have too many small earthworms in your worm farm, you can give them away. You can also let us know and we'll be happy take care of your earthworms. You shouldn't let them out because they may not be a native species and are not used to cold, so they wouldn't survive a winter.

The earthworms drop through:

In case some earthworms dropped through to the bottom tray of the composter, return them to the composting tray (B1) and check that the grille with the textile is properly placed.

Mould:

Should mould appear in the worm farm, it is most often because the earthworms can't manage to process the bio-waste, so decrease its amount. Remove the mouldy pieces. If there is only a little bit of mould, simply cover it with a layer of composted bio-waste.

The worm farm mix is too moist:

Should in the worm farm material be too moist, add pieces of shredded paper, newspaper or paper egg crates. Leave the lid slightly ajar until the moisture level drops.

The worm farm mix is too dry:

Should in the worm farm material be too dry, moisten it with a water spray or pieces of shredded dampened paper, newspaper or paper egg crates.

Earthworm escapes:

When the earthworms have plenty of moisture and food, they have no reason to run. Even then, should this happen, make sure the worm farm isn't too dry and if so, moisten it with a water spray or pieces of dampened paper. Further check that all parts of the worm farm fit tightly. The earthworms have no way to escape a properly assembled Urbalive worm farm.

Holiday:

Holiday is no problem. Earthworms can easily make it for two weeks without food. But they survive without food a maximum to four weeks.

Maintenance and cleaning of the Urbalive Worm Warm

It is an interior container which does not need any special maintenance.

When you tap off the earthworm tea from the worm farm, wash out the bottom tray with the release valve. Also wash the tray from which you took processed compost. Both trays can be washed with a dish soap and thoroughly rinsed. When rinsing with warm water, turn the release valve a few times (i.e. close it and open it again). By doing so, you ensure that the sediment and worm tea dregs are removed completely and at the same time, you avoid freezing the release valve during its opening and closing.

Disassembling

To disassemble the worm farm, reverse the way you have assembled it. First, take the top tray away from the bottom tray, then take the grille out, unscrew the drain valve from the bottom container and remove the wooden legs from the bottom tray.

Spare Parts

Do you need any spare parts for your worm farm? On the website www.plastia.eu or by your dealer, you can buy the following spare parts: the cover, the middle tray - the (B) tray, and the filter sifter.

Disposal

The worm farm should be disposed of ecologically, i.e. either the plastic trays and wooden legs should be thrown away into appropriate recycling bins (plastic and wood respectively), or it should be handed over in a nearby household waste recycling site. The disposal must be carried out in accordance with the regulation of the Government (European directive) – Law 185/2001 Coll. (2002/95/EC) on waste and amending certain other acts, as amended.



Guarantee

Terms of guarantee: The Urbalive worm farm is guaranteed for the period of 24 months from the date of purchase. The guarantee is granted only in eligible guarantee claims, i.e. in the cases of material of manufacturing defects. The guarantee is claimable only when the product is used according to the Instructions for use.

Producer:

Plastia s.r.o., Na Pankráci 1062/58, 140 00 Praha 4, Czech Republic
Tel.: +420 566 667 001, e-mail: info@plastia.cz, www.plastia.eu

Was ist Wurmkompostierung?

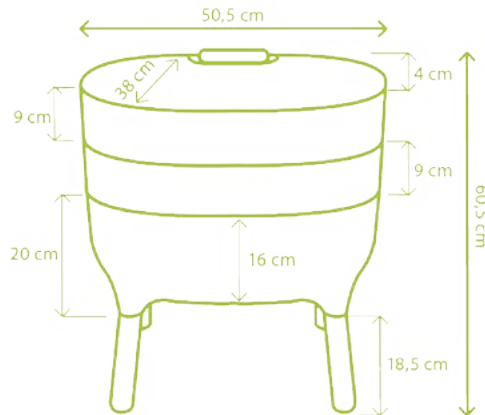
Es ist eine Art der Kompostierung, bei der für die Schalen, Tee-Beutel und andere organische Abfälle von Haushalten die Kompostwürmer sorgen. Die Kompostwürmer verwandeln die Abfälle in einigen Monaten in einem speziellen Behälter – Wurmkomposter genannt – zu Wurmkompost (derin seiner Struktur der Torferde ähnelt). Als zweites Produkt gewinnen Sie den sogenannten Wurmtee. Sowohl Wurmkompost als auch Wurmtee sind hochwertige organische Naturdünger mit hohem Enzymgehalt, die beim Pflanzenwachstum helfen und Pflanzen vor Krankheiten schützt. Beide Dünger können Sie sowohl für Ihre Zimmerpflanzen als auch für Kräuter und Pflanzen im Freien verwenden.

Warum in der eigenen Wohnung kompostieren?

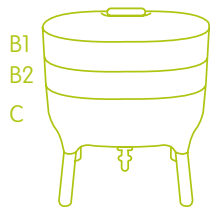
- 40 bis 60 Prozent des Mülls aus dem Haushalt sind kompostierbar
- Biomüll sollte nicht auf die normale Deponie oder in die Müllverbrennungsanlage gefahren werden, wo er nicht hingehört
- Sie sparen beim Düngen und gönnen Ihren Pflanzen und Kräutern Nährstoffe ohne Chemie
- So erhalten Sie einen Dünger - reich an Nährstoffen und Enzymen – für das richtige Pflanzenwachstum
- Sie schaffen sich eine ganzjährige Kompostversorgung für Ihre Pflanzen
- Sie können Ihre Kinder und Enkelkinder über die natürlichen Zyklen aufklären

Wurmkomposter Urbalive Grundbeschreibung

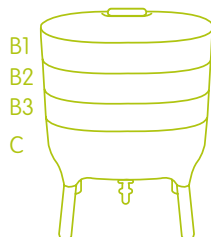
Es handelt sich um ein Innengefäß, in dem Regenwürmer die Pflanzenreste aus dem Haushalt zu Wurmkompost und Regenwurmtee umwandeln. So erhalten Sie einen hochwertigen 100% organischen Dünger für Zimmer- und Außenpflanzen.



Technische Angaben



Bei Verwendung eines Grundsets vom Wurmkomposter mit zwei Stockwerken.
 B1 = 21,7 l
 B2 = 21,7 l
 C = 15 l (Wurmtee)
 Die maximale Belastung des ganzen Wurmkomposters beträgt 60 kg.

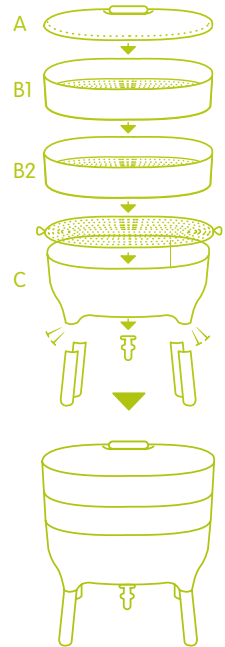


Bei Verwendung eines Grundsets vom Wurmkomposter mit drei Stockwerken.
 B1 = 21,7 l
 B2 = 21,7 l
 B3 = 21,7 l
 C = 15 l (Wurmtee)
 Die maximale Belastung des ganzen Wurmkomposters beträgt 60 kg.

Wie baut man den Wurmkomposter Urbalive zusammen

Was finden Sie in einer Packung mit Wurmkomposter Urbalive?

- Deckel mit einem Holzgriff (A) und Löcher für Luftzufuhr
- 2 Wurmbetten (B1, B2)
- Unterteil (C)
- Auslaufhahn
- Zwischengitter mit Gewebe
- 4 Holzfüßchen
- 4 Schrauben



Den Wurmkomposter auspacken. Die Füßchen in die Vorbohrungen des Unterteils schrauben. Beigepackte Schrauben mit Schraubenzieher festdrehen. Nachdem die Füßchen festgeschraubt sind, schraubt man den Auslaufhahn ein. Überprüfen, dass der Auslaufhahn geschlossen und dicht ist. Das Zwischengitter mit Gewebefließ in das Unterteil des Wurmkomposters einlegen und die Abdichtung überprüfen. Zu Kompostieren beginnt man mit dem Unterteil (Teil mit dem Auslaufhahn) und mit einem Wurmbett (B1). Das zweite Wurmbett (B2) bleibt leer. Dies kommt zum Einsatz, wenn das Wurmbett (B1) voll wird. Das Wurmbett (B2) kann inzwischen herausgenommen werden oder auch einfach zwischen dem Wurmbett (B1) und dem Unterteil bleiben (C).

Wichtige Warnungen

Wie benutzt man den Wurmkomposter Urbalive?

Für Diejenigen, für die es ausreichend ist, kurz zu erklären:

- Wurmkomposter zusammenbauen
- Auf das Wurmbett (B1) fein zusammengeknülltes Papier hinlegen.
- Das zweite Wurmbett (B2) braucht man noch nicht.
- Kompostwürmer auf die Streu legen
- Kompostwürmer mit einer Schicht aus fein zerkleinerten organischen Abfällen abdecken.
- Wurmbett (B1) auf das Unterteil setzen und mit dem Deckel (A) zudecken
- Auf die Feuchtigkeit und Temperatur achten. Kompostwürmer nicht überfüttern
- Nach 2-3 Monaten das Wurmbett (B2) mit der vorbereiteten Streu auf das volle Wurmbett (B1) setzen. In dem vollen Wurmbett (B1) einen Haufen in der Mitte bilden, damit die Kompostwürmer einfacher in das Wurmbett (B2) kriechen.
- Kompostieren mit Freude





Kompostierung Schritt für Schritt, im Detail

- Auf das Wurmbett (B1) Streu aus zusammengeknülltem Papier legen. Eine Schicht reicht. Perfekt passt auch die Kartonage, in der der Wurmkomposter eingetroffen ist. Man kann ebenso Zeitungen, Toilettenpapierrollen, Gras, Laub, Torf, Holzspäne oder Kokosfaser verwenden.
- Kompostwürmer auf die Streu legen. Am Anfang braucht man nur 250 Gramm Kompostwürmer. Das entspricht ca. 200 einzelnen Würmern. Wo man die Kompostwürmer beziehen kann, erfahren Sie im nächsten Teil der Anleitung
- Kompostwürmer und Wurmbett (B1) mit einer dicken Schicht 2–3 cm aus fein zerkleinerten organischen Abfällen abdecken
- Im ersten Monat die Kompostwürmer ein bis zweimal in der Woche mit einer Handvoll organischem Abfall füttern. Vorsicht: Kompostwürmer nicht überfüttern. Ansonsten können die Kompostwürmer die organischen Abfälle nicht verarbeiten und die Abfälle werden schimmelig. Sollte das passieren, einfach die verschimmelten Stücke entfernen.
- Wenn die Anzahl der Kompostwürmer wächst, kann die Abfallmenge entsprechend erhöht werden. Etwa in 3 Monaten verarbeiten die
- Kompostwürmer täglich bis zu 250 Gramm organischer Abfälle. Diese Menge etwa produziert pro Tag eine vierköpfige Familie.
- Mehrmals pro Woche die Feuchtigkeit kontrollieren.
- Einmal in der Woche den Inhalt im Wurmkomposter wenden und auflockern. Dabei sollte man schauen, ob die Kompostwürmer i.o. sind. Der Kompost ist somit gleichzeitig schön belüftet.
- Der Wurmkomposter sollte geschlossen bleiben, denn die Kompostwürmer lieben Dunkelheit.
- Etwa zwei Monate später entsteht im Wurmkomposter der sogenannte Wurmtee. Er ist ein flüssiges Produkt der Kompostierung. Er fließt in den Unterteil mit dem Abflusshahn. Den Wurmtee nehmen Sie einmal oder zweimal im Monat ab, je nach Menge. Nach jedem Abziehen des Wurmtees reinigen Sie den Unterteil
- Wenn das Wurmbett (B1) voll ist, geben Sie in die Mitte noch eine Handvoll organischen Abfall zu, um einen Haufen zu bilden. Danach das zweite Wurmbett (B2) andrücken und organische Abfälle darauf legen. Die Kompostwürmer klettern in das zweite Wurmbett (B2) durch die Löcher alleine oder mit Ihrer Hilfe. Ein Teil der Kompostwürmer können Sie auch in das zweite Wurmbett (B2) legen. Das Wurmbett (B1) lassen Sie dort noch ein Monat. Während dieser Zeit klettern alle Kompostwürmer in das zweite Wurmbett (B2) und das Material im Wurmbett (B1) wird in Kompost umgewandelt. Allerdings, wenn Sie den Dünger sofort verwenden, verteilen Sie den Wurmkompost auf einer Matte in einer dünnen Schicht mit dem Haufen in der Mitte. Die Kompostwürmer ziehen hinein.
- Schütten Sie den Wurmkompost aus dem Wurmbett (B1), düngen Sie damit die Pflanzen und spülen Sie das Wurmbett ab. Aus dem Wurmbett (B1) wird ein leeres Wurmbett (B2). Legen Sie dieses beiseite, bis das Wurmbett, in dem gerade kompostiert wurde, wieder voll ist. Und der Zyklus wird immer so wiederholt.

Was gehört in einen Wurmkomposter?

- Gemüse- und Obstabfälle und sonstige Grünschnittreste
- Teebeutel (in Teebeuteln vermehren sich die Regenwürmer oft) und abgekühlter Kaffeesatz
- Reste von gekochtem Gemüse
- zerkleinerte Eierschalen
- Papierreste, Papierservietten, feuchte Pappe, Kaffeefilter
- trockene Brotreste
- Blumen- und sonstige Grünschnittreste



HINWEIS: Große Stücke sollten klein geschnitten werden, um den Kompostwürmern ihr Arbeit zu erleichtern.

In einen Wurmkomposter gehört nicht:

- Lebensmittel mit unverwechselbarem Geschmack, wie Ingwer oder große Mengen von Zitrusfrüchte
- Fleisch und Milchprodukte
- Knochen
- Öl, Schmalz und andere Fette



HINWEIS: Zu Beginn der Kompostierung werfen Sie keine Reste von Kohlgemüse oder Kartoffelschalen hinein. Vermeiden Sie die Gerüche, die durch mangelhafte Zersetzung (bei kleiner Anzahl von Kompostwürmern) anfangs entstehen.

Wo soll der Urbalve Wurmkomposter hingestellt werden?

UrbAlve Wurmkomposter kann in der Küche, auf dem Balkon, im Flur, in der Garage oder in der Klasse oder im Büro stehen. Wenn ein paar Regeln befolgt werden, stinkt der Wurmkomposterinhalt nicht.

Halten Sie die angemessene Temperatur ein. Eine Temperatur um 20 °C bekommt den Kompostwürmern gut. Im Winter soll der Wurmkomposter nicht ohne Isolierung draußen bleiben, er darf nicht durchfrieren. Im Sommer darf der Wurmkomposter nicht in der direkten Sonne stehen, sonst trocknet er aus. Die Temperatur im Wurmkomposter sollte nicht unter 5 °C fallen und 25 °C nicht überschreiten.

Halten Sie die richtige Feuchtigkeit des Wurmkompostes aufrecht. Die richtige Feuchtigkeit der Mischung im Wurmkomposter ist zu überprüfen, so dass Sie eine Handvoll vom kompostierten Material nehmen und es festdrücken. Die ideale Feuchtigkeit ist, wenn ein paar Wassertropfen entstehen. Wenn zu viel Wasser entsteht, sollte der Kompost mit dem Papier oder Pappe ausgetrocknet werden. Falls keine Wassertropfen entstehen, muss der Kompost mit einem Sprühgerät oder nassen Papierschnitzeln (Zeitungen, Eierschachteln etc.) befeuchtet werden. Die Regenwürmer mögen Dunkelheit, setzen Sie also den Wurmkomposter dem direkten Sonnenlicht nicht aus. Sie fühlen sich am besten im Schatten.



Wo bekomme ich die Würmer her und welche Würmer passen in den Wurmkomposter?

In den Wurmkomposter passt eine besondere Art von Würmern, die speziell für die Kompostierung gezüchtet wird. Oft als Californian Hybrid genannt (lateinisch Eisenia andrei). Kalifornische Würmer haben einen größeren Appetit und vermehren sich schneller. Kalifornische Würmer sind im Fachhandel zu erhalten. Seien Sie sich bewusst, dass in den heißen Sommermonaten die Würmer nicht per Post gesendet werden können. Wählen Sie aus den Wurmhändlern nur solche aus, die die Würmer in einer Dose mit einer kleinen Kompostmenge verschicken (nicht nur reine Würmer in einer Box).

Wozu passt der Wurmkompost und der Wurmtee?

Wurmkompost ist der beste Dünger, den Sie Ihren Pflanzen geben können. Der Dünger ist reich an aktiven Enzymen und Wachstumshormonen. Er wird in den Blumentöpfen in die Erde oder direkt auf die Beete gegeben. Der Wurmkompost mit der Erde gemischt kann als Standardsubstrat verwendet werden. Wirkt aber auch als Starter beim Keimungsprozess der Pflanzen.

Wurmtee ist ein ausgezeichnete Flüssigdünger für Kräuter, Zimmerpflanzen aber auch für den Garten. Der Wurmtee ist reich an Nährstoffen und Enzymen, er hilft den Pflanzen beim Wachstum und schützt gegen Schädlinge. Der Wurmtee kann in eine Kunststoff- oder Glasflasche abgefüllt werden. Idealerweise verdünnt man Tee mit Wasser im Verhältnis 1 : 9. Mit diesem verdünnten Wurmtee gießen Sie Ihre Pflanzen oder besprühen Sie die Pflanzenblätter damit.



Wenn es nicht geht, wie es gehen sollte...

Wurmkomposter stinkt:

Ein richtig gepflegter Wurmkomposter stinkt nicht. Wenn er stinkt, schaffen die Kompostwürmer die Verarbeitung der organischen Abfälle nicht. Reduzieren Sie die Menge von organischen Abfällen. Große Mengen der nicht verarbeiteten organischen Abfälle verursacht hohe Feuchtigkeit und die organischen Abfälle verwesen und stinken. Der Inhalt des Wurmkomposters kann mit Papier, Zeitungen oder Eierschachteln getrocknet werden. Geruch könnte von Kohlgemüseresten oder Kartoffeln stammen. Diese sollten erst nach ein paar Monaten in die Kompostierung einbezogen werden, wenn die Kompostwürmer aktiv genug sind.

Zu wenig Kompostwürmer:

Wenn in dem Wurmkomposter wenig kleine Kompostwürmer sind, es ist ein Signal, dass die Kompostwürmer sich nicht vermehren. Versuchen Sie die Streustruktur und die Struktur der organischen Abfälle zu ändern. Die Feuchtigkeit sollte auch besser eingestellt werden.

Zu viel Kompostwürmer:

Wenn in dem Wurmkomposter viele kleine Kompostwürmer sind, schenken Sie diese jemandem. Sie können auch uns kontaktieren, gerne nehmen wir Ihre Kompostwürmer an. Bitte die Kompostwürmer nicht in die freie Natur setzen. Es ist keine heimische Wurmart, die an den Winter nicht gewöhnt ist und die Würmer überleben es nicht.

Kompostwürmer fallen:

Wenn die Kompostwürmer versehentlich in den Unterteil des Wurmkomposters durchfallen, sollten sie wieder in das Wurmbett (B1) zurückgebracht werden. Kontrollieren Sie, dass das Zwischengitter mit Gewebe richtig positioniert ist.

Schimmel:

Wenn im Wurmkomposter Schimmel zu sehen ist, schaffen es die Kompostwürmer nicht, die organischen Abfälle zu verarbeiten. Reduzieren Sie die Menge. Entfernen Sie die verschimmelten Stücke. Wenn im Wurmkomposter nur wenig Schimmel ist, sollte er mit einer Schicht kompostierter organischer Abfälle zugedeckt werden.

Ist die Mischung im Wurmkomposter zu nass?

Wenn die Oberfläche des Wurmbettes zu nass ist, sollen Zeitungsstücke, Papierstücke oder Eierschachteln hinzugefügt werden. Den Deckel nicht halb offenlassen, bis die Feuchtigkeit zurück geht.

Ist die Mischung im Wurmkomposter zu trocken?

Wenn die Oberfläche des Wurmbettes zu trocken ist, sollte mit einem Sprühgerät oder nassen Papierschnipseln (Zeitungen, Eierschachteln etc.) befeuchtet werden.

Wurmflucht:

Wenn die Kompostwürmer genügend Feuchtigkeit und genügend Nahrung haben, haben sie keinen Grund zu fliehen. Sollten die Würmer aus der Masse entfliehen, muss sichergestellt werden, dass die Oberfläche des Wurmbettes nicht zu trocken ist, bzw. Sie sollte mit einem Sprühgerät befeuchtet werden. Außerdem sollte noch überprüft werden, dass alle Teile des Wurmkomposters dicht geschlossen sind. Wenn der Wurmkomposter Urbalve richtig aufgestellt ist, finden die Kompostwürmer keinen Weg hinaus.

Urlaub:

Urlaub ist kein Problem. Die Kompostwürmer überleben problemlos auch einen zweiwöchigen Hungerstreik. Ohne Nahrung halten die Kompostwürmer aber höchstens vier Wochen durch.

Wartung und Reinigung vom Urbalve-Wurmkomposter

Es ist ein Innenbehälter, der keine besondere Wartung erfordert. Der Unterteil mit Auslaufhahn, wenn der Wurmtee abfließt, und das Wurmbett, aus dem der fertige Wurmkompost entnommen wurde, muss man mit einem warmen Wasser und einem Spülmittel ausgewaschen werden und beide Teile gut nachspülen. Während der Spülung mit warmem Wasser drehen Sie mehrmals mit dem Auslaufhahn-Ventil (Schließen und erneutes Öffnen), um eine gründliche Entfernung der Ablagerungen und des Schlammes aus dem Wurmtee zu gewährleisten. Gleichzeitig vermeiden Sie, dass das Ventil beim Öffnen oder Schließen erstarrt.

Demontage

Der Wurmkomposter wird in der gleichen Weise demontiert, wie er zusammengebaut wurde. Trennen Sie das Wurmbett von dem Unterteil ab, entfernen Sie das Zwischengitter, schrauben Sie das Ablassventil vom unteren Teil ab und demontieren Sie die hölzernen Füße vom unteren Teil.

Ersatzteile

Benötigen Sie Ersatzteile für Ihren Wurmkomposter? Unter www.plastia.eu bieten wir Ihnen die Möglichkeit, Ersatzteile nachzukaufen: Deckel, Mittelteil - Wurmbetten (B), Zwischengitter mit Gewebe.

Entsorgung

Geben Sie den Behälter zur ökologischen Entsorgung über, entweder in einen Container für Kunststoffteile und in Container für Holz (Holzfüße) oder entsorgen Sie ihn in einem Sammelplatz Ihres Wohnortes.



Die Entsorgung muss in Übereinstimmung mit der Regierungsverordnung (Europäische Richtlinien) erfolgen - Gesetz 185/2001 Slg. (2002/95/EC) über Abfälle und Änderung einiger anderer Gesetze in der gültigen Fassung.

Garantie

Garantiebedingungen: Für den Urbalve-Wurmkomposter gilt eine Garantie von 24 Monaten ab dem Datum der Warenübernahme. Die Garantie wird nur bei berechtigten Garantiefällen gewährt, und zwar bei Material- oder Herstellungsfehlern. Die Garantie gilt nur, wenn das Produkt in Übereinstimmung mit der Bedienungsanleitung verwendet wird.

Hersteller:

Plastia s.r.o., Na Pankráci 1062/58, 140 00 Praha 4, Tschechische Republik
Tel.: +420 566 667 001, e-mail: info@plastia.cz, www.plastia.eu

Co je vermikompostování?

Je to způsob kompostování, při kterém se o slupky, čajové pytlíky a další bioodpad z domácnosti postarají žížaly. Ty odpad ve speciální nádobě – vermikompostéru – za několik měsíců promění ve vermikompost, který se strukturou podobá rašelině. Navíc získáte i takzvaný žížalí čaj. Vermikompost i žížalí čaj jsou skvělá hnojiva s vysokým obsahem enzymů a přírodních hormonů, které pomáhají růstu a chrání rostliny před nemocemi. Lze je používat ke hnojení bylinek a pokojových nebo venkovních rostlin.

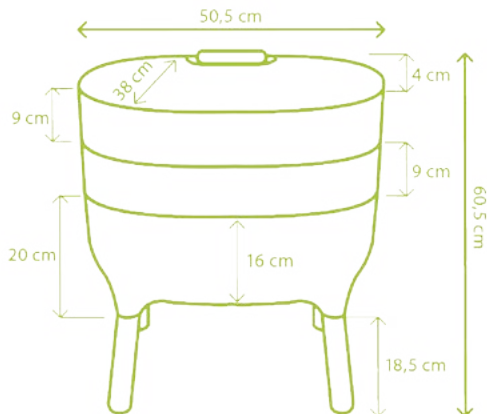
Proč kompostovat doma?

- 40 až 60 procent odpadků z domácnosti můžete kompostovat.
- Bioodpad neskončí na skládce či ve spalovně odpadu, kam nepatří.
- Ušetříte za hnojivo a svým rostlinám dopřejete živiny bez chemie.
- Budete mít hnojivo s vysokým obsahem živin a enzymů pro správný růst rostlin.
- Máte celoroční přísun kompostu pro vaše rostliny.
- Vaše děti či vnoučata získají praktické znalosti o přírodních cyklech.

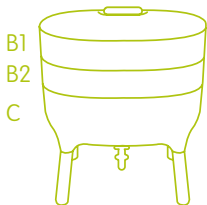
Vermikompostér Urbalive

Základní popis

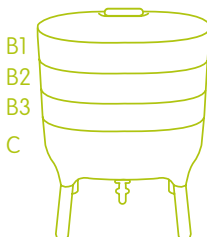
Jedná se o interiérovou nádobu, ve které žížaly přemění rostlinné zbytky z domácnosti na vermikompost a žížalí čaj. Získáte tak vysoce kvalitní 100% organické hnojivo pro pěstování pokojových i venkovních rostlin.



Technické údaje



Při použití základní sestavy vermikompostéru se dvěma patry.
 B1 = 21,7 l
 B2 = 21,7 l
 C = 15 l (žížalího čaje)
 Maximální zatížení celého vermikompostéru je 60 kg.



Při použití sestavy vermikompostéru se třemi patry.
 B1 = 21,7 l
 B2 = 21,7 l
 B3 = 21,7 l
 C = 15 l (žížalího čaje)
 Maximální zatížení celého vermikompostéru je 60 kg.

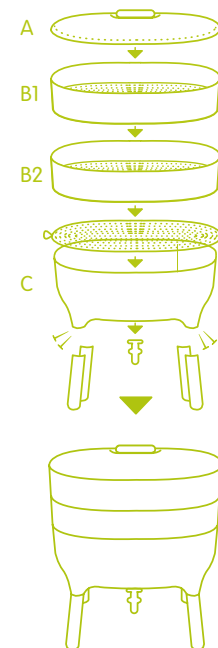
Sestavení vermikompostéru Urbalive

Co najdete v balení vermikompostér Urbalive?

- víko s dřevěným madlem (A)
- dvě patra (B1, B2)
- spodní díl (C)
- vypouštěcí ventil
- filtrační síto
- 4 dřevěné nohy
- 4 vruty

Nejprve pomocí vrutů připevníte dřevěné nohy ke spodnímu dílu vermikompostéru. Poté našroubujete do spodního dílu vypouštěcí ventil. Zkontrolujte, zda je vypouštěcí ventil uzavřený a zda dobře těsní. Do spodního dílu vermikompostéru vložte filtrační síto tak, aby dobře těsnilo.

Kompostovat začnete se spodním dílem (ten s vypouštěcím ventilem) a s jedním patrem – tomu říkáme kompostovací patro (B1). Druhé patro (B2) zatím zůstane prázdné. To přijde na řadu, až kompostovací patro (B1) zaplníte. Můžete ho tedy zatím schovat nebo nechat mezi kompostovacím patrem (B1) a spodním dílem (C).

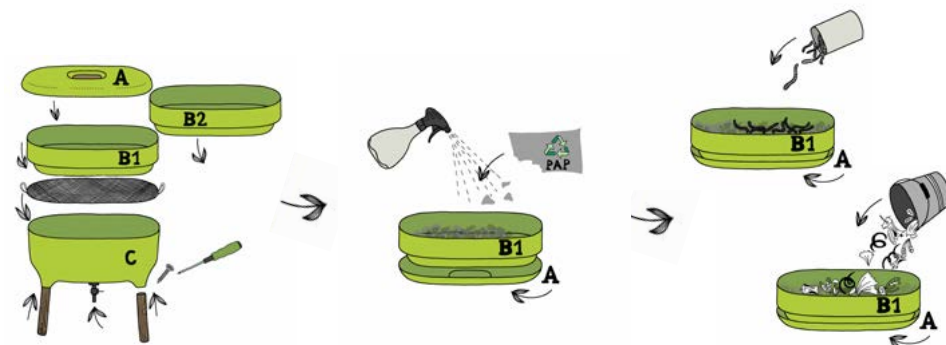


Důležitá upozornění

Jak používat vermikompostér Urbalive?

Pro ty, kterým to stačí stručně

- Sestavte vermikompostér.
- V kompostovacím patře (B1) vytvořte podestýlku z papíru. Druhé patro (B2) zatím nepotřebujete.
- Na podestýlku dejte násadu žížal.
- Žížaly pokryjte vrstvou nadrobno nakrájeného bioodpadu.
- Kompostovací patro (B1) umístěte na spodní díl (C) a přikryjte víkem (A).
- Hlídejte vlhkost, teplotu a dávejte pozor, abyste žížaly nepřekrmovali.
- Po 2–3 měsících položte kompostovací patro (B2) s připravenou podestýlkou na plné patro (B1). Žížalám vytvořte v plném patře (B1) hromádku uprostřed, aby se mohli snáze přestěhovat do patra (B2).
- Kompostujte s radostí.





Kompostování krok za krokem, podrobně

- Na dně kompostovacího patra (B1) vyrobte podestýlku z navlhčeného zmačkaného papíru. Stačí jedna vrstva. Skvěle se hodí třeba krabice, ve které vám vermikompostér Urbalive dorazil. Použit můžete ale i plata od vajíček, noviny, ruličky od toaletního papíru, trávu, listí, rašelinu, hobliny nebo kokosové vlákno.
- Na podestýlku dejte násadu žížal. Do začátku vám bude stačit půl kila žížal. Pro ty, kdo počítají na kusy, je to asi dvě stě žížal. Kde získáte žížaly, se dozvíte v další části návodu.
- Pak žížaly i celé dno kompostovacího patra (B1) pokryjte 2–3 cm silnou vrstvou bioodpadu nakrájeného na malé kousky.
- První měsíc krmete žížaly jednou až dvakrát týdně hrstí bioodpadu. Pozor na překrmování. Jinak žížaly nesíňhají bioodpad zpracovávat a ten začne plesnivět. Pokud se vám to přihodí, plesnivé kousky z vermikompostéru jednoduše odstraňte.
- Jak bude žížal přibývat, můžete množství bioodpadu zvyšovat. Asi za tři měsíce zvládne vermikompostér až čtvrt kila bioodpadu denně. Tolik zhruba vyprodukuje za den jedna čtyřčlenná rodina.
- Několikrát týdně kontrolujte vlhkost.
- Jednou týdně obsah vermikompostéru opatrně prohrábněte a podívejte se, jak se žížalám daří. Kompost se tím zároveň hezky provzdušní.
- Vermikompostér zavírejte, žížaly mají rády tmu.
- Asi za dva měsíce se v kompostéru začne tvořit takzvaný žížalí čaj, což je tekutý produkt kompostování. Ten odtéká do spodního dílu s vypouštěcím ventilem. Žížalí čaj odebírejte jednou až dvakrát za měsíc, podle toho, kolik se ho vytvoří. Po každém stáčení žížalího čaje spodní díl opláchněte.
- Až se kompostovací patro (B1) úplně zaplní, přidejte doprostřed ještě hrst bioodpadu, aby vznikl kopeček. Na ni přimáčkněte druhé patro (B2) a do něj začněte dávat bioodpad. Žížaly do druhého patra (B2) přelezou buď samy skrz otvory ve dně, nebo jim můžete pomoci a část žížal do horního patra přestěhovat. Patro (B1) nechejte v sestavě vermikompostéru ještě jeden měsíc. Za tu dobu si všechny žížaly přelezou do patra (B2) a materiál v patře (B1) se přemění ve vermikompost. Pokud však potřebujete hnojivo použít ihned, můžete vermikompost rozprostít na podložku v tenké vrstvě a vytvořit hromádku. Žížaly se sem z tenké vrstvy přemístí.
- Pak vermikompost z kompostovacího patra (B1) vysypte, pohnojte rostlinky a patro opláchněte. Z kompostovacího patra (B1) se tak stane prázdné patro (B2). Zařím ho dejte na kompostér prázdné nebo odložte stranou, než zaplníte patro, do kterého právě kompostujete. Pak celý koloběh se stěhování žížal do vyššího patra zopakujte. A tak pořád dokola.

Co patří do vermikompostéru

- odkrojky a zbytky zeleniny a ovoce (lžeba bramborové slupky, ohryzky z jablek, zelené natě apod.)
- čajové sáčky (žížaly se v nich často a rády rozmnožují, proto na ně nezapomínejte)
- kávová sedlina, kávové filtry
- zbytky vařených zeleniny
- rozdrčené vaječné skořápky
- papírové ubrousky
- navlhčená papírová lepenka
- suché pečivo
- zbytky pokojových a venkovních rostlin



TIP: Velké kusy nakrájejte na menší, žížaly je lépe zpracují.

Co nepatří do vermikompostéru

- chuťově výrazné potraviny jako zázvor nebo velké množství citrusů
- mléčné výrobky
- masné výrobky
- kosti
- olej, sádlo a jiné tuky



TIP: Zpočátku kompostování nevhazujte zbytky košťálové zeleniny nebo slupky brambor. Malý počet žížal v počátku nemůže svými enzymy kompost rozložit a tyto zbytky by pak mohly zapáchat.

Kde umístit vermikompostér? Aneb kam s ním.

Urbalive vermikompostér může stát v kuchyni, na chodbě, ve stínu na balkóně, v garáži nebo ve třídě či kanceláři. Pokud budete dodržovat pár jednoduchých zásad, nemusíte se bát, že by obsah vermikompostéru zapáchal.

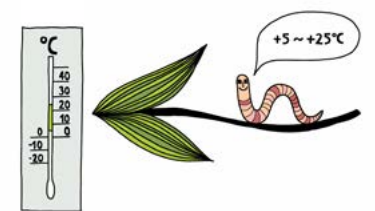
Dodržujte přiměřenou teplotu. Žížalám svědčí teplota kolem 20 °C. V zimě nenechávejte vermikompostér venku bez izolace, aby nepromrzl. V létě ho nedávejte na přímé slunce, kde by se přehříval a vysychal. Teplota ve vermikompostéru by neměla klesnout pod 5 °C a přesáhnout 25 °C.

Udržujte správnou vlhkost směsi ve vermikompostéru. Zkontrolujete tak, že vezmete hrst kompostovaného materiálu a stisknete ji co nejpevněji v dlaní. Pokud se objeví pár kapek vody, je vlhkost ideální. Když se objeví vody více, je potřeba kompost vysušit třeba natrhaným papírem nebo lepenkou. Když se kapky vody neobjeví, zvlhčíte kompost rozprašovačem vody anebo vlhkým natrhaným papírem, navlhčeným kartónem z krabice nebo od vajíček. Pokud nebude zajištěna optimální vlhkost, může nastat úbytek žížal.

Žížalám svědčí tma, proto vermikompostér nevystavujte přímému slunci. Nejlépe jim bude ve stínu.

Kde získám žížaly a jaký druh potřebuji?

Do vermikompostéru patří speciální druh žížal vyšlechtěný přímo pro kompostování. Říká se mu kalifornský hybrid (latinsky se jmenuje Eisenia andrei). Na rozdíl od své české příbuzné žížaly hnojní (ta nese latinské jméno Eisenia fetida) mají kalifornské žížaly větší chuť k jídlu. Tedy ke kompostování. A také se rychleji množí. Kalifornské žížaly dostanete u specializovaných prodejců. Dejte ale pozor na to, že v horkých letních měsících není možné žížaly posílat poštou. Stejně tak je potřeba vybírat mezi těmi prodejci žížal, kteří



vám je pošlou i s kompostem (tedy ne čistě žížaly v krabičce).

TIP : Nejvýhodnější cesta, jak získat kalifornské žížaly, je dostat je od jiného kompostovacího nadšence. Kontakty na další vermikompostáře najdete na stránkách www.mapko.cz. Jedná se o mapu komunálních zahrad a vermikompostérů. Třeba tam najdete souseda v ulici, který vám ještě dnes dá dvě hrsti vermikompostu i se žížalami. Přidejte i svůj kompostér do mapy a nabídněte své přebytky kompostu a žížal.

Použití vermikompostéru a žížalího čaje

Vermikompost je nejlepší hnojivo, které můžete svým rostlinám dopřát. Obsahuje účinné enzymy a růstové hormony. Přidává se k zemině do květináčů pokojových květin nebo přímo na záhon. Pokud vermikompost smícháte se zeminou, může být použit jako klasický substrát. Působí také jako startér při procesu klíčení rostliny. Žížalí čaj je vynikající tekuté hnojivo pro bylinky, pokojové rostliny i zahradu.

Obsahuje totiž vysoké množství živin a enzymů, které pomáhají rostlinám růst a udržovat je odolné vůči škůdcům. Žížalí čaj můžete stočit do plastové či skleněné lahve. Ideální je, když čaj zředíte vodou v poměru 1:9. Zředěným žížalím čajem zalévejte rostliny nebo jej rozprašujte na jejich listy.



Co dělat když...

Vermikompostér zapáchá:

Správně vedený vermikompost nezapáchá. Pokud se zápach objeví, je to nejčastěji proto, že žížaly nestačí zpracovávat všechny bioodpad. Snižte proto jeho množství. Nezpracovaný bioodpad má na svědomí i velkou vlhkost kompostovaného materiálu, který potom hnije a zapáchá. Obsah vermikompostéru vysušte kousky natrhaného papíru, novin nebo kartonů od vajíček. Příčinou zápachu mohou být také zbytky košťálové zeleniny nebo brambor. Tyto je vhodné zapojit do kompostování až po několika měsících, kdy jsou žížaly dostatečně aktivní pro včasné rozložení.

Nedostatek žížal:

Nedostatek malých žížal je signál, že se žížaly nerozmnožují, protože jim ve vermikompostéru není dobře. Zkuste změnit složení podestýlky a bioodpadu a také vyladte vlhkost kompostovaného materiálu.

Hodně žížal:

Pokud máte ve vermikompostéru hodně malých žížal, můžete je někomu věnovat. Můžete se obrátit také na nás, rádi se vašich žížal ujmete. Ven byste je pouštět neměli, protože se nejedná o původní druh, a navíc nejsou zvyklé na zimu, a tak by nepřežily.

Žížaly propadávají:

Pokud by do spodního dílu vermikompostéru náhodou propadaly nějaké žížaly, vraťte je zpátky do kompostovacího patra (B) a zkontrolujte, zda je mířka s textilií správně umístěná.

Plíseň:

Když se ve vermikompostéru objeví plíseň, je to nejčastěji proto, že žížaly nestačí bioodpad zpracovávat. Snižte proto jeho množství. Plesnivě kousky odstraňte. A pokud je plísně jen maličko, stačí ji zahrnout vrstvou kompostovaného bioodpadu.

Směs ve vermikompostéru je moc vlhká:

Pokud je materiál ve vermikompostéru příliš vlhký, přidejte kousky natrhaného papíru, novin nebo kartonů od vajíček. Nechávejte pootevřené víko, dokud se vlhkost nesníží.

Směs ve vermikompostéru je moc suchá:

Pokud je materiál ve vermikompostéru příliš suchý, zvlhčete ho rozprašovačem nebo kousky natrhaného vlhkého papíru, novin nebo kartonů od vajíček.

Žížalí útěky:

Když mají žížaly dostatek vlhka a potravy, nemají důvod utíkat. Pokud se to přece jen přihodí, ujistěte se, že není vermikompostér suchý, případně navlhčete rozprašovačem nebo kousky natrhaného vlhkého papíru. Dále překontrolujte, zda všechny části vermikompostéru dobře doléhají. Ze správně sestaveného Urbalive vermikompostéru nemají žížaly kudy utéct.

Dovolená:

Dovolená není problém. Žížaly bez problémů přečkají i čtrnáctidenní hladovku. Bez potravy však vydrží nejdéle čtyři týdny.

Údržba a čištění vermikompostéru Urbalive

Jedná se o interiérovou nádobu, která nepotřebuje žádnou speciální údržbu. Spodní díl s vypouštěcím ventilem, po odebrání žížalího čaje, a kompostovací patro, po odebrání vermikompostu, řádně vymyjte teplou vodou a prostředkem na nádobí a důkladně vypláchněte. Ventilem při proplachování teplou vodou několikrát otočte (zavírejte a znovu otevírejte). Zajistíte tím tak důkladné odstranění nánosů a kalu z žížalího čaje a zároveň předejete zatuhnutí ventilu při jeho otevírání či zavírání.

Demontáž

Vermikompostér demontujeme stejným způsobem, jako jsme ho složili. Oddělíme vrchní patro od spodní části, vyndáme filtrační síto, vyšroubujeme vypouštěcí ventil ze spodního dílu a od spodního dílu odmontujeme dřevěné nohy.

Náhradní díly

Potřebujete náhradní díly pro svůj vermikompostér? Na www.plastia.eu Vám nabízíme možnost dokoupit náhradní díly: víko, prostřední část - patro (B), filtrační síto.

Likvidace

Nádobu předejte k ekologické likvidaci, buď do kontejneru na plasty (plastové části) a kontejneru na dřevo (dřevěné nohy) nebo předejte do sběrného dvora v místě Vašeho bydliště. Likvidace musí být provedena v souladu s nařízením vlády (evropské direktivy) – zákon 185/2001 Sb. (2002/95/EC) o odpadech a o změně některých dalších zákonů v platném znění.



Záruka

Záruční podmínky: Na vermikompostér Urbalive je poskytována záruka po dobu 24 měsíců od data převzetí zboží. Záruka je poskytována pouze v oprávněných záručních případech, a to při materiálových nebo výrobních vadách. Záruka platí pouze tehdy, je-li výrobek používán podle návodu k obsluze.

Výrobce:

Plastia s.r.o., Na Pankráci 1062/58, 140 00 Praha 4, Česká republika
Tel.: +420 566 667 001, e-mail: info@plastia.cz, www.plastia.eu

Čo je vermikompostovanie?

Je to spôsob kompostovania, pri ktorom sa o šupky, čajové vrecká a ďalší bioodpad z domácnosti postarajú dážďovky. Tie odpad v špeciálnej nádobe – vermikompostéri – za niekoľko mesiacov premenia na vermikompost, ktorý sa štruktúrou podobá rašelini. Navyše získate i takzvaný dážďovkový čaj. Vermikompost i dážďovkový čaj sú skvelé hnojivá s vysokým obsahom enzýmov a prírodných hormónov, ktoré podporujú rast a chránia rastliny pred chorobami. Dá sa používať na hnojenie bylín a izbových aj záhradných rastlín.

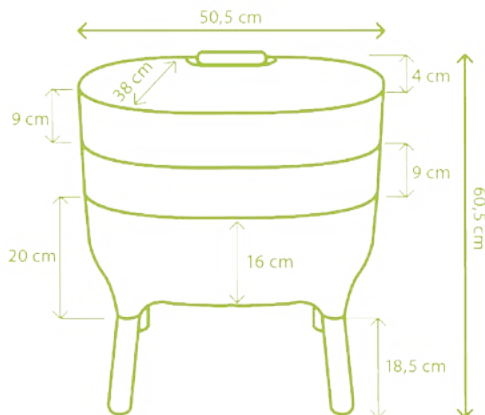
Prečo kompostovať doma?

- 40 až 60 percent odpadkov z domácnosti môžete kompostovať.
- Bioodpad neskončí na skládke či v spalovni odpadov, kam nepatrí.
- Ušetríte za hnojivo a svojim rastlinám doprajete živiny bez chémie.
- Budete mať hnojivo s vysokým obsahom živín a enzýmov pre správny rast rastlín.
- Máte celoročný prísun kompostu pre vaše rastliny.
- Vaše deti či vnúčatá získajú praktické znalosti o prírodných cykloch.

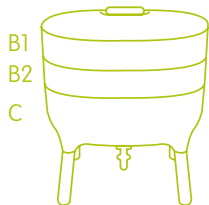
Vermikompostér Urbalive

Základný popis

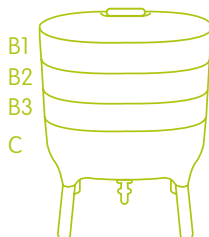
Ide o interiérovú nádobu, v ktorej dážďovky premenia rastlinné zvyšky z domácnosti na vermikompost a dážďovkový čaj. Získate tak vysokokvalitné 100 % organické hnojivo na pestovanie izbových a vonkajších rastlín.



Technické údaje



Pri použití základnej zostavy vermikompostéra s dvoma podlažiami.
 B1 = 21,7 l
 B2 = 21,7 l
 C = 15 l (dážďovkový čaj)
 Maximálne zaťaženie celého vermikompostéra je 60 kg.



Pri použití základnej zostavy vermikompostéra s tromi podlažiami.
 B1 = 21,7 l
 B2 = 21,7 l
 B3 = 21,7 l
 C = 15 l (dážďovkový čaj)
 Maximálne zaťaženie celého vermikompostéra je 60 kg.

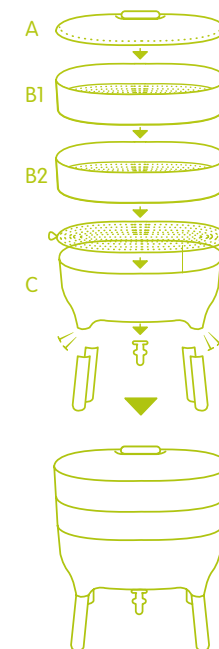
Zostavenie vermikompostéra Urbalive

Čo nájdete v balení vermikompostéra Urbalive?

- veko s dreveným držadlom (A)
- dve poschodia (B1, B2)
- spodný diel (C)
- vypúšťací ventil
- filtračné sito
- 4 drevené nohy
- 4 skrutky

Najprv do otvorov v spodnom diele priskrutkujte nohy pomocou pribalených skrutiek.

Až po priskrutkovaní nožičiek priskrutkujte do spodného dieľa vypúšťací ventil. Prekontrolujte, či je vypúšťací ventil zatvorený a či dobre tesní. Do spodného dieľa vermikompostéra vložte filtračné sito (to je ten s vypúšťacím ventilom) a s jedným poschodím – to nazývame kompostovacie poschodie (B1). Druhé poschodie (B2) zatiaľ ostane prázdne. Príde na rad, až keď kompostovacie poschodie (B1) zaplníte. Zatiaľ ho môžete odložiť alebo nechať medzi kompostovacím poschodím (B1) a spodným dielom (C).

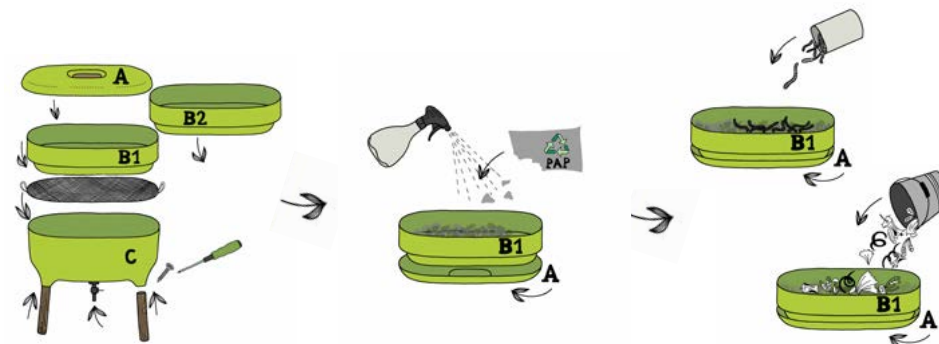


Dôležité upozornenia

Ako používať vermikompostér Urbalive?

Pre všetkých, ktorým to stačí stručne

- Zostavte vermikompostér.
- V kompostovacom poschodí (B1) urobte podstielku z papiera. Druhé poschodie (B2) zatiaľ nepotrebujete.
- Na podstielku dajte násadu dážďoviek.
- Dážďovky prekryte vrstvou nadrobno nakrájaného bioodpadu.
- Kompostovacie poschodie (B1) dajte na spodný diel (C) a prikryte vekom (A).
- Sledujte vlhkosť, teplotu a dávajte pozor, aby ste dážďovky neprekrmovali.
- Za 2–3 mesiace položte kompostovacie poschodie (B2) s pripravenou podstielkou na plné poschodie (B1). Dážďovkám urobte v plnom poschodí (B1) v strede kôpku, aby sa mohli ľahšie presťahovať do poschodia (B2).
- Kompostujte s radosťou.





Kompostovanie krok za krokom, podrobne

- Na dne kompostovacieho poschodia (B1) urobte podstielku z navlhčeného dokrčeného papiera. Stačí jedna vrstva. Výborne využijete napríklad škatuľu, v ktorej vám prišiel vermikompostér Urbalive. Použiť môžete aj kartóny od vajčiek, noviny, roľky od toaletného papiera, trávu, listie, rašelinu, hobliny alebo kokosové vlákno.
- Na podstielku dajte násadu dážďoviek. Pre začiatok vám postačí pol kila dážďoviek. Tí, ktorí ich počítajú na kusy, zoberú asi dvesto dážďoviek. Kde si môžete zadovážiť dážďovky, sa dozviete v ďalšej časti návodu.
- Potom dážďovky aj celé dno kompostovacieho poschodia (B1) pokryjete 2–3 cm silnou vrstvou bioodpadu nakrájaného na malé kúsky.
- Prvý mesiac kŕmite dážďovky raz až dvakrát za týždeň hrsťou bioodpadu. Pozor na prekrmovanie, potom dážďovky nestihnú bioodpad spracovať a začne plesnivieť. Ak sa vám to stane, plesnivé kúsky z kompostéra jednoducho odstráňte.
- Ako budú dážďovky pribúdať, môžete zvyšovať aj množstvo bioodpadu. Asi o tri mesiace už zvládne vermikompostér až štvrt kilogramu bioodpadu denne. Asi toľko odpadu vyprodukuje denne jedna štvorčlenná rodina.
- Niekoľkokrát za týždeň prekontrolujte vlhkosť.
- Raz za týždeň obsah vermikompostéra opatrne prehrabte a pozrite sa, ako sa dážďovkám darí. Kompost sa tým súčasne pekne prevzdušní.
- Vermikompostér zatvárajte, dážďovky majú rady tmu.
- Asi o dva mesiace sa v kompostéri začne tvoriť takzvaný dážďovkový čaj, je to tekutý produkt kompostovania. Odteká do spodného dielu s vypúšťacím ventilom. Dážďovkový čaj odobierajte jeden až dvakrát za mesiac, podľa toho, koľko sa ho vytvorí. Po každom stáčaní dážďovkového čaju spodný diel opláchnite.
- Až sa kompostovacie poschodie (B1) celkom zaplní, pridajte do stredu ešte hrsť bioodpadu, aby vznikla kôпка. Na ňu pritlačte druhé poschodie (B2) a začnite do neho dávať bioodpad. Dážďovky prelezú do druhého poschodia (B2) samé cez otvory na dne, alebo im pomôžete a časť dážďoviek do horného poschodia presťahujete. Poschodie (B1) nechajte v zostave vermikompostéra ešte jeden mesiac. Za túto dobu všetky dážďovky prelezú do poschodia (B2) a materiál v poschodí (B1) sa premení na vermikompost. Ak však potrebujete použiť hnojivo ihneď, môžete vermikompost rozprestrieť na podložku v tenkej vrstve a vytvoriť kôпку. Dážďovky sa sem z tenkej vrstvy presunú.
- Potom vermikompost z kompostovacieho poschodia (B1) vysypte, pohnite rastlinky a poschodie opláchnite. Kompostovacie poschodie (B1) zostane prázdne a premení sa na poschodie (B2). Zatiaľ ho dajte na kompostér prázdne, alebo ho odložte, kým zaplníte poschodie, v ktorom práve kompostujete. Potom celý kolobeh so sfahovaním dážďoviek zopakujte. A tak stále dookola.

Do vermikompostéra patria

- šupky a zvyšky zeleniny a ovocia (napr. zemiakové šupky, ohryzky z jabĺk, zelené vňate)
- čajové vrecká (dážďovky sa v nich často a radi rozmnožujú, preto na ne nezabúdajte)
- kávová usadenina, kávové filtre
- zvyšky varenej zeleniny
- rozdrvené vajcové škrupiny
- papierové servítky
- navlhčená papierová lepenka
- suché pečivo
- zvyšky izbových a záhradných rastlín



TIP: Veľké kusy nakrájajte na menšie, dážďovky ich lepšie spracujú.

Do vermikompostéra nepatria

- chuťovo výrazné potraviny ako džumbier alebo veľké množstvo citrusov
- mliečne výrobky
- mäsové výrobky
- kosti
- olej, masť a iné tuky



TIP: Na začiatku kompostovania nevhadzujte zvyšky hlúbovín ani šupky zo zemiakov. Malý počet dážďoviek na začiatku nemôže svojimi enzýmami kompost rozložiť a zvyšky by potom mohli zapáchať.

Kam Urbalive vermikompostér postavíte? Aneb kam s ním.

Urbalive vermikompostér môže stáť v kuchyni, na balkóne, na chodbe, v garáži, v triede, či v kancelárii. Pokiaľ budete dodržiavať zopár jednoduchých zásad, nemusíte sa báť, že obsah vermikompostéra bude zapáchať.

Dodržiujte primeranú teplotu. Dážďovkám vyhovuje teplota okolo 20 °C. V zime nenechávajte vermikompostér vonku bez izolácie, aby nepremrzol. V lete ho nedávajte na priame slnko, kde by sa prehrieval a vysychal. Teplota vo vermikompostéri by nemala klesnúť pod 5 °C a presiahnuť 25 °C.

Udržujte správnu vlhkosť vermikompostéra. Správnu vlhkosť zmesi vo vermikompostéri prekontrolujte tak, že vezmete hrsť kompostovaného materiálu a stisnete ju čo najpevnejšie v dlani. Ak sa objaví zopár kvapiek vody, je vlhkosť ideálna. Ak sa objaví vody viac, musíte kompost vysušiť, napr. natrhávaním papierom alebo lepenkou. Ak sa kvapky vody neobjavia, zvlhčite kompost rozprašovačom vody alebo vlhkým natrhávaným papierom, navlhčeným kartónom zo škatule alebo od vajčiek. Ak nebude zaistená optimálna vlhkosť, môže dôjsť k úbytku dážďoviek.

Dážďovkám vyhovuje tma, preto vermikompostér nevystavujte priamemu slnku. Najlepšie im bude v tieni.

Aké dážďovky mám do vermikompostéra použiť a kde ich získať?

Do vermikompostéra patrí špeciálny druh dážďoviek vyšľachtený priamo pre kompostovanie. Nazývajú sa „kalifornské dážďovky“ (latinsky *Eisenia andrei*). Na rozdiel od našej dážďovky hnojnej (latinsky *Eisenia fetida*) majú kalifornské dážďovky väčšiu chuť do jedla. Teda do kompostovania. A súčasne sa rýchlo množia. Kalifornské dážďovky kúpite u špeciálnych predajcov. Na našom webe www.urbalive.cz nájdete prehľad



tých, ktorých odporúčame. Dávajte ale pozor, lebo v horúcich letných mesiacoch sa dážďovky nedajú posielat poštou. Rovnako tak je potrebné vybrať si medzi predajcami dážďoviek tých, ktorí ich zasielajú aj s kompostom (teda nie čisté dážďovky v škatuľke).

TIP: Najvýhodnejším spôsobom získate kalifornské dážďovky, ak vám ich podaruje iný nadšenec pre kompostovanie. Možno nájdete suseda na ulici, ktorý vám ešte dnes dodá dve hrstky vermikompostu aj s dážďovkami.

Na čo je dobrý vermikompost a dážďovkový čaj?

Vermikompost je najlepšie hnojivo, aké môžete svojim rastlinám dopriať. Obsahuje účinné enzýmy a rastové hormóny. Pridáva sa k zemine do črepníkov izbových rastlín alebo priamo na záhon. Ak vermikompost zmiešate so zeminou, môžete ho použiť ako klasický substrát. Pôsobí aj jako štartér pri procese klíčenia rastliny.

Dážďovkový čaj je skvelé tekuté hnojivo pre bylinky, izbové rastliny aj záhradu. Obsahuje totiž vysoké množstvo živín a enzýmov, ktoré pomáhajú rastlinám rásť a udržiavajú ich odolné voči škodcom. Dážďovkový čaj môžete zliať do plastovej alebo sklenenej fľaše. Ideálne je, ak čaj zriedite vodou v pomere 1:9. Zriedeným dážďovkovým čajom zalievajte rastliny alebo ho rozprašujte na lístky.



Co robiť ak?

Vermikompostér zapácha:

Správne ošetrovaný vermikompost nezapácha. Pokiaľ sa zápach objaví, je to najčastejšie preto, lebo dážďovky nestačia spracúvať všetok bioodpad. Znížte preto jeho množstvo. Nespracovaný bioodpad má na svedomí aj veľkú vlhkosť kompostovaného materiálu, ktorý potom hnije a zapácha. Obsah vermikompostéra vysušite kúskami natrhaného papiera, novin alebo kartónov od vajčiek. Príčinou zápachu môžu byť aj zvyšky hľubovnín alebo zemiakov. Zapojte ich do kompostovania až po niekoľkých mesiacoch, kedy sú už dážďovky dostatočne aktívne na to, aby zaistili skorý rozklad.

Nedostatok dážďoviek:

Nedostatok malých dážďoviek je signálom, že sa dážďovky nerozmnožujú, pretože sa im vo vermikompostéri nepáči. Skúste zmeniť zloženie podstielky a bioodpadu a tiež doladte vlhkosť kompostovaného materiálu.

Veľa dážďoviek:

Ak máte vo vermikompostéri veľa malých dážďoviek, môžete ich niekomu venovať. Môžete sa obrátiť aj na nás, radi sa vašich dážďoviek ujmemo. Von by ste ich vyhodili nemali, pretože sa nejedná o pôvodný druh a navyše nie sú zvyknuté na zimu, a tak by neprežili.

Dážďovky prepádajú:

Ak by do spodného dielu vermikompostéra náhodou popadali nejaké dážďovky, vráťte ich naspäť do kompostovacieho poschodia (B1) a prekontrolujte, či je mriežka s textíliou správne umiestnená.

Pleseň:

Ak sa vo vermikompostéri objaví pleseň, je to najčastejšie preto, lebo dážďovky nestačia bioodpad spracovávať. Znížte preto jeho množstvo. Plesnivé kúsky odstráňte. A pokiaľ je plesne len máličko, stačí ju zahrnúť vrstvou kompostovaného bioodpadu.

Zmes vo vermikompostéri je príliš vlhká:

Ak je materiál vo vermikompostéri príliš vlhký, pridajte kúsky natrhaného papiera, novin alebo kartónov od vajčiek. Nechajte pootvorené veko, pokiaľ sa vlhkosť neznižuje.

Zmes vo vermikompostéri je príliš suchá:

Ak je materiál vo vermikompostéri príliš suchý, navlhčite ho rozprašovačom alebo kúskami natrhaného vlhkého papiera, novin alebo kartónov od vajčiek.

Dážďovky utekajú:

Keď majú dážďovky dosť vlhky a potravy, nemajú dôvod utekať. Ak sa to predsa len stane, zistíte, či nie je vermikompostér suchý, prípadne navlhčite povrch rozprašovačom alebo kúskami natrhaného vlhkého papiera. Ďalej skontrolujte, či dobre priliehajú všetky časti vermikompostéra. Zo správne zostaveného vermikompostéra Urbalive nemajú dážďovky kadiaľ utiecť.

Dovolenka:

Dovolenka nie je problém. Dážďovky spokojne znesú aj dvojtýždňovú hladovku. Bez potravy však vydržia najdlhšie štyri týždne.

Údržba a čistenie vermikompostéra Urbalive

Ide o interiérovú nádobu, ktorá nepotrebuje žiadnu špeciálnu údržbu.

Keď z vermikompostéra odoberte dážďovkový čaj, spodný diel s vypúšťacím ventilom vymyte. Vymyte tiež poschodie, z ktorého ste vybrali hotový kompost. Obidve časti stačí umyť prostriedkom na riad a dôkladne vypláchnuť. Pri preplachovaní teplou vodou ventilom niekoľkokrát otočte (zatvárajte a znovu otvárajte), zaistíte tým dôkladné odstránenie nánosov a kalu z dážďovkového čaju a zároveň predídete stuhnutiu ventilu pri jeho otvaraní či zatváraní.

Demontáž

Vermikompostér demontujeme rovnakým spôsobom, ako sme ho zložili. Oddelíme vrchné podlažie od spodnej časti, vyberieme mriežku, vyskrutkujeme vypúšťací ventil zo spodného dielu a od spodného dielu odmontujeme drevené nohy.

Náhradné diely

Potrebujete náhradné diely pre svoj vermikompostér? Na www.plastia.eu vám ponúkame možnosť dokúpiť náhradné diely: veko, prostrednú časť – podlažie (B), filtračné sito.

Likvidácia

Nádobu odovzdajte na ekologickú likvidáciu, buď do kontajnera na plasty (plastové časti) a kontajnera na drevo (drevené nohy), alebo odovzdajte do zberného dvora v mieste vašho bydliska.

Likvidácia musí byť vykonaná v súlade s nariadením vlády (európskej direktívy) – zákon 185/2001 Zb. (2002/95/EC) o odpadoch a o zmene niektorých ďalších zákonov v platnom znení.



Záruka

Záručné podmienky: Na vermikompostér Urbalive je poskytovaná záruka počas 24 mesiacov od dátumu prevzatia tovaru. Záruka je poskytovaná iba v oprávnených záručných prípadoch, a to pri materiálových alebo výrobných chybách. Záruka platí iba vtedy, ak sa výrobok používa podľa návodu na obsluhu.

Producer:

Plastia s.r.o., Na Pankráci 1062/58, 140 00 Praha 4, Česká republika
Tel.: +420 566 667 001, e-mail: info@plastia.cz, www.plastia.eu

